

 **McLanahan**[®]

**STAGE
LOADER
CRUSHERS**

FOR LONGWALL SYSTEMS.

STAGE LOADER

OUTSTANDING PERFORMANCE.

Outstanding Performance by McLanahan Crushers is backed up by:

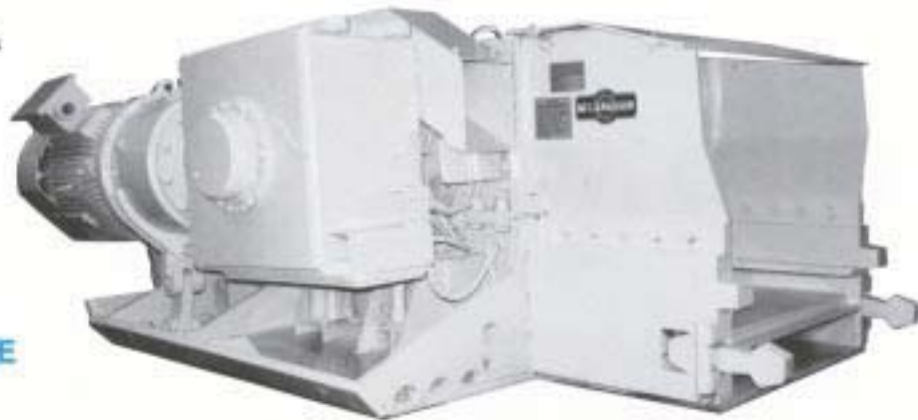
- 100% design and manufacturing in the U.S.A.
- **FIELD SERVICE:** 24 hours a day, 7 days a week.
- Extensive inventory of **SPARE PARTS.**
- Total **REBUILD** capabilities.

RUGGED, RELIABLE PERFORMANCE BY DESIGN.

Base Frame. Fabricated from steel plate, heavily ribbed and braced for maximum strength and rigidity. Inby and outby ends are flanged to mate with the flanges of the stage loader pans and beam plates. A flanged top frame design is provided for easy access to the roll as well as disassembly for transportation to and from the longwall face.

Bearings. Spherical roller-type, adapter mounted, grease-lubricated, self-aligning bearings are equipped with Taconite-type seals and hydraulic removal features.

Lubrication. All lubrication fittings for rollshaft bearings and seals are banked to accessible locations for ease of maintenance. Likewise, all lubrication points on the hollow shaft right angle reducer will be banked to accessible locations on the reducer.



FLEXIBILITY

McLANAHAN STAGE LOADER CRUSHERS offer flexibility to suit a wide range of required features. Special design requirements have included:

- **SPLIT, FLANGED FRAMES**
- **MANUFACTURED PANS**
- **PAN TENSIONING SYSTEM**
- **SYMMETRICAL FRAMES**
 - **JIB CRANE SYSTEM**
 - **V-BELT DRIVES**
 - **SPECIAL SPRAY SYSTEMS**
 - **2-SPEED DESIGN**

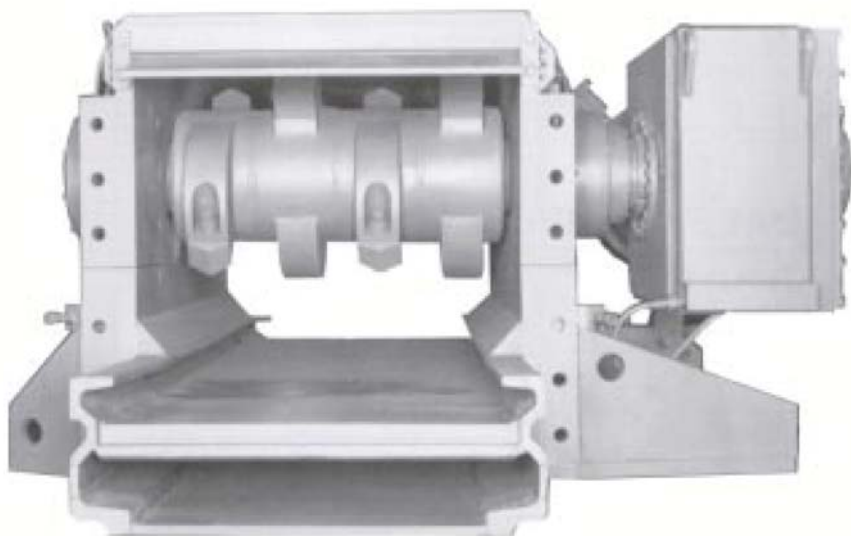
... to name a few.

FLEXIBILITY . . . We'll bend over backwards to meet your needs.

CRUSHERS

MAXIMUM AVAILABILITY.

Crusher Roll. Consists of cast steel roll elements which are pressed and keyed to the roll shaft. These roll elements are designed with appropriate spacing for producing a product size required by the application. All teeth are hard surfaced. As an option, renewable cast teeth of bolt-on design are available to expedite roll tooth maintenance.



Crusher Deck. Fabricated from 2½" thick T-1 steel plate.

Product Size Adjustment. Accomplished by vertical movement of the roll assembly. Adjustments can be made between 4" and 10". This dimension is measured between the tip of the crusher roll tooth and the top of the crushing deck. Shims of varying thicknesses are used to obtain the preferred setting. These steel shims hold the roll in place when the crusher is in operation. Hydraulic cylinders are provided for making rapid height adjustments.

Water Sprays. Water spray nozzles on each side are plumbed, in series, to accessible points on the crusher. The flexible water lines have quick-disconnect fittings to facilitate maintenance.

TOOTH OPTIONS

Shown below are profiles of roll elements with renewable and nonrenewable tooth designs.



Drive. The motor which is coupled to the right angle reducer is bolted directly to the reducer by a lantern mount. The right angle reducer of hollow bore design, drives the roll shaft. A coupling, located between the motor and reducer, serves as protection for the drive components.

Motor. 200 H.P., 1800 R.P.M., NEMA "A" Design. With some applications, motor requirements may vary.

Coupling. A fluid coupling is used between the motor and the reducer. An optional "clutch-type" coupling is available if desired.

Reducer. A hollow shaft-type right angle gear reducer is mounted directly to the roll shaft by means of a key and retaining plate. The reducer is equipped with Taconite-type design seals. The reducer is equipped with a lantern mount at the high speed drive end for motor mounting. This design of motor mount assures proper alignment between motor and reducer shafts.



CAPACITIES

Roll Setting	42" HDXLP	48" HDXLP
4"	1,764 T.P.H.	2,016 T.P.H.
6"	2,100 T.P.H.	2,400 T.P.H.
8"	2,436 T.P.H.	2,784 T.P.H.
10"	2,772 T.P.H.	3,168 T.P.H.

Capacities based upon bulk material densities of 64 P.C.F. and stage loader speeds of 300 F.P.M.

HEAVY DUTY STAGE LOADER CRUSHERS

Model	42" HDXLP	48" HDXLP
Weight less motor (lbs.)	22,435	25,000

PAN CONNECTION

McLanahan Corporation will design a stage loader crusher for use with longwall systems designed by any manufacturer. Advise name of manufacturer and provide drawing of their stage loader attachment pans.



We Invite Your Inquiries.

NORTH AMERICA Corporate Office, Pennsylvania, USA +1 (814) 695 9807 sales@mclanahan.com
Florida, USA +1 (863) 667 2090 polymers@mclanahan.com
Iowa, USA +1 (319) 365 0441 sales@mclanahan.com
Tennessee, USA +1 (615) 451 4440 sales@mclanahan.com

AUSTRALIA New South Wales +61 2 4924 8248 sales@mclanahan.com.au
Queensland +61 7 3375 4700 sales@mclanahan.com.au

EUROPE Southeast England, UK +44 (0)1420 542489 infoUK@mclanahan.com

mclanahan.com