

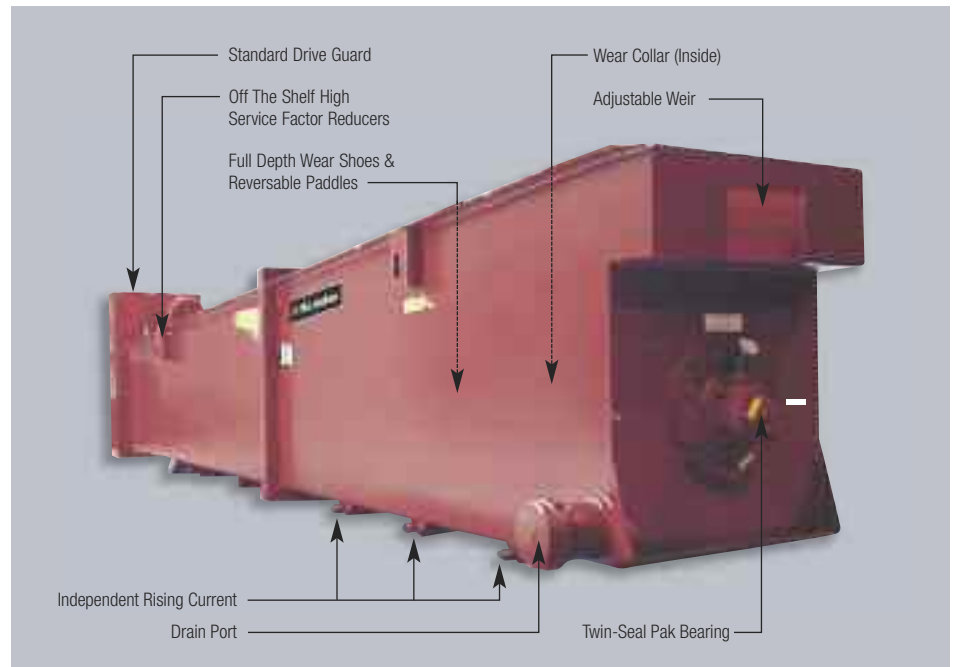
COARSE MATERIAL SCREW WASHERS



mclanahan.com



McLanahan Coarse Material Screw Washers are rugged and reliable. They are used primarily to process crushed stone and gravel that generally range from 3/8" to 4" (9.5mm to 101mm). They effectively remove clay, dirt, crusher dust and coatings that cannot be removed by wet screening alone. The turbulent washing action (material on material scrubbing) combined with rising current water results in separation of the lighter fractions from the sound aggregate. The lighter fraction (i.e. clay and floating vegetation) rises to the surface and overflows the back weir. The desired clean product is then scrubbed and conveyed up the slope and discharged from the bottom of the box.



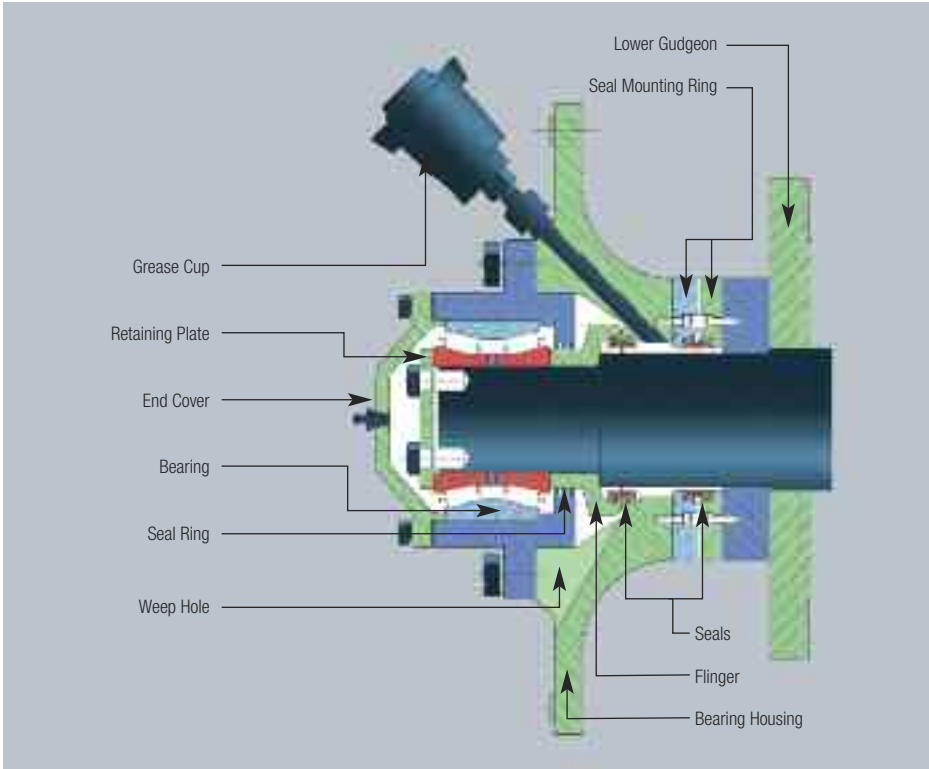
SELECTION

The selection of a Coarse Material Screw Washer (CMSW) is based upon the type of material, desired capacity and maximum feed size. A CMSW can be furnished with standard 20 paddles, 40 paddles or all paddles. More paddles provide a greater washing action, but at a reduced capacity.

It is recommended that sand (generally-1/4") be screened out prior to using the CMSW, as finer material will cushion the washing action.

WEAR SHOES

Full depth wear shoes and reversible paddles on McLanahan Coarse Material Screw Washers are made from abrasion resistant White Iron. Reversible paddles provide longer retention time of the material in the box and improve the scrubbing action.



SUBMERGED BEARINGS

Changing a “boot” every season? Tired of leaky bearings that lead to catastrophic failure? Then use McLanahan Twin-Seal Pak submerged rear bearings, which are standard on all washing equipment. This design incorporates Duo-Cone® seals that keep water and even the smallest particles from reaching the bearing. Pressure in the bearing housing is maintained between the seals to provide constant seal face lubrication and a weep hole eliminates any possibility of seal damage from over greasing. A plunger in the grease cup even lets you know how much grease is in the bearing seal cavity. The roller bearing is mounted outboard, so it can be removed for easy maintenance. Go 10 years doing nothing except adding grease? Impossible? Not with the McLanahan Twin-Seal Pak Bearing Assembly!

OPTIONAL EQUIPMENT

- Motors
- Front Supports
- Top Covers
- Discharge Chute

CUSTOM DESIGNS

McLanahan provides customers with custom engineered processing solutions. Do you need a stainless steel or galvanized washer box? How about a box that’s longer or one that’s able to handle larger material? Whatever your needs, just ask!

**McLANAHAN OFFERS PARTS AND SERVICE
24 HOURS A DAY, EVERY DAY!**



Offering The Widest Range Of Processing Equipment Available From A Single Manufacturer

Wet Processing

Aggregate Conditioners
Attrition Scrubbers/Cells
Coarse Material Screw Washers
Dewatering Screens
Flat Bottom Classifiers
Filter Presses
Fine Material Screw Washers
Cyclones
Hydrosizers
Log Washers
Pumps
Road Based Mixers
Rotary Scrubbers
Rotary Trommel Screens
Sand Manager Classifying Tanks
Separators™
Frac Sand Plants
In-Line Blending Plants
Recipe Sand Plants
Fines Recovery Systems
Sand Plants
Thickeners

Dry Processing

Cone Crushers
Feeders
Drag Chain Feeders
& Feeder-Breakers
Hammermill Crushers
Impact Crushers
Jaw Crushers
Rocker Tooth Crushers
Lab Mill Crushers
Rotary Sample Dividers
PugMill Mixers
Roll Crushers
Rotary Breakers
Rotary Trommel Screens
Screens
Sizers
Stage Loader Crushers
Crushing Plants

Sampling

Barge Auger Systems
Cross Belt Sampling
Cut Zone Systems
Falling Stream Sampling
Multiple Stage Sampling Systems
Rail Auger Systems
Single Stage Sampling
Truck Auger Systems

Wear Parts



NORTH AMERICA

CORPORATE OFFICE

Pennsylvania, USA +1 (814) 695 9807
Florida, USA +1 (863) 667 2090
Iowa, USA +1 (319) 365 0441
Tennessee, USA +1 (615) 451 4440

sales@mclanahan.com
polymers@mclanahan.com
sales@mclanahan.com
sales@mclanahan.com

AUSTRALIA

New South Wales +61 2 4924 8248
Queensland +61 7 4952 3377

sales@mclanahan.com.au
sales@mclanahan.com.au

EUROPE

England, UK +44 (0) 1420 542489

infoUK@mclanahan.com

INDIA

Hyderabad +91 (40) 2355 4071

info@mclanahan-nawa.com